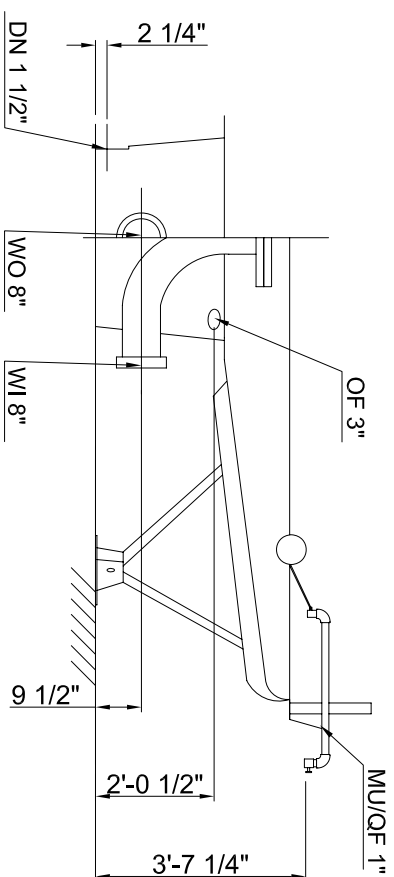



13'-4 1/4"



- Notes:**
1. Satisfactory performance of the cooling tower is based on precise selection, proper system design and installation in clean and well-ventilated locations.
 2. For special conditions, please consult the manufacturer.

			
PROJECT / MODEL MKT-275 LAYOUT			
TITLE MESAN COOLING TOWER			
DRAWN BY	DESIGNED BY	CHECKED BY	APPROVED BY
xin	xin	Alice	Isa
SCALE	FILE NAME	DATE	
		2012-05-03	
DRAWING NO.			REVISION
			01