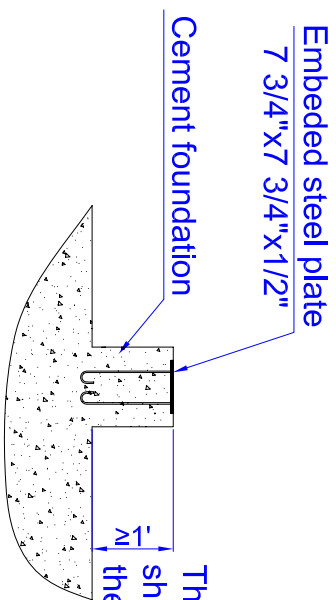


W/O

W/I



The height of the foundation should be set according to the water outlet pipe diameter.

- Remark:**
- 1、 The foundation and the support of center sump are at the same level.
 - 2、 The height deviation should be less than 1/4" .
 - 3、 Final foundation design must be determined considering the pump's NPSHR. .
 - 4、 The operating weight is 4553lbs .



PROJECT / MODEL

MKT-125
FOUNDATION

TITLE

MESAN COOLING TOWER

DRAWN BY DESIGNED BY CHECKED BY APPROVED BY

xin xin Alice Isa

SCALE FILE NAME DATE

2012-05-03

DRAWING NO.

REVISION



01