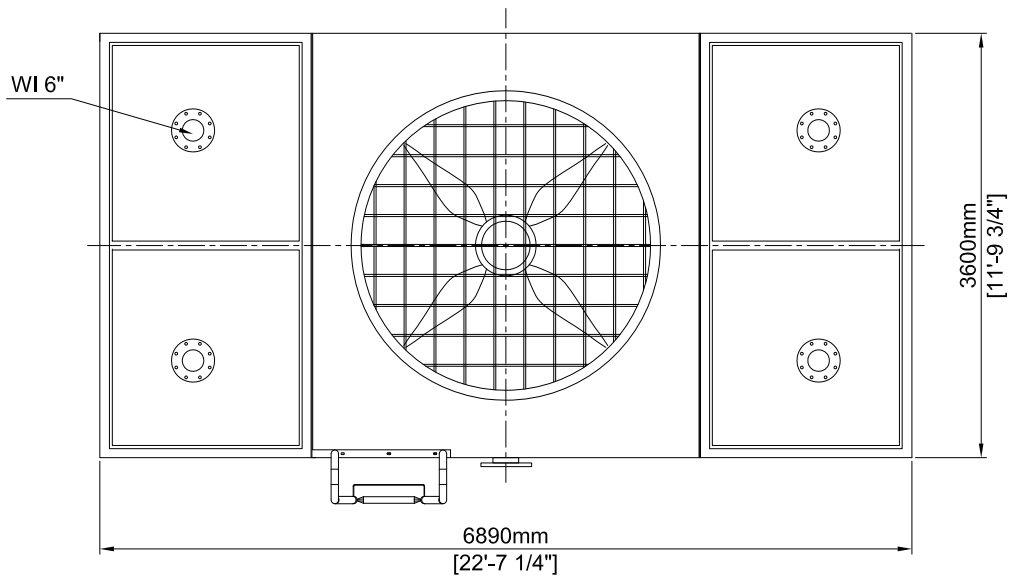
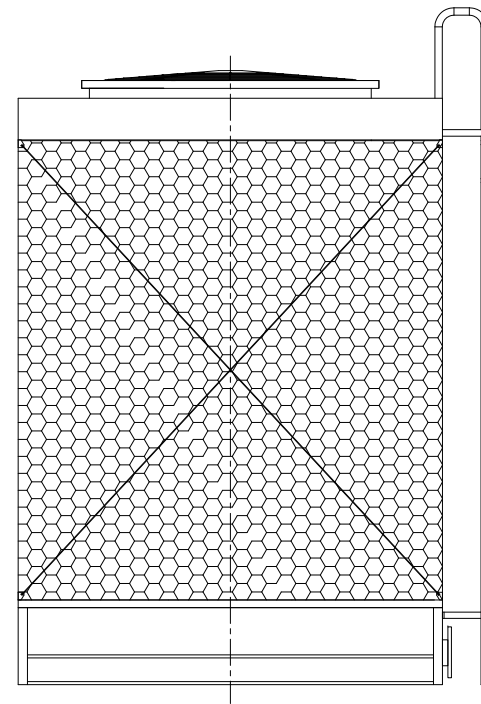


WO 12"



WI 6"

Notes:

1. Satisfactory performance of the cooling tower is based on precise selection, proper system design and installation in clean and well-ventilated locations.
2. For special conditions, please consult the manufacturer.



PROJECT / MODEL

**MXL-04E
LAYOUT**

TITLE

MESAN COOLING TOWER

DRAWN BY	DESIGNED BY	CHECKED BY	APPROVED BY
KING	VINCENT	ISA	ISA
SCALE	FILE NAME	DATE	
		2013-12-20	
	DRAWING NO.	REVISION	
	MXL-04E-L	01	